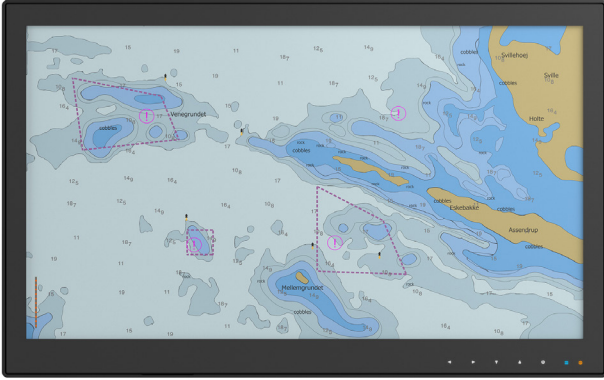


# DuraMON 22" S-Line

## Wide Screen Monitor for Marine Applications



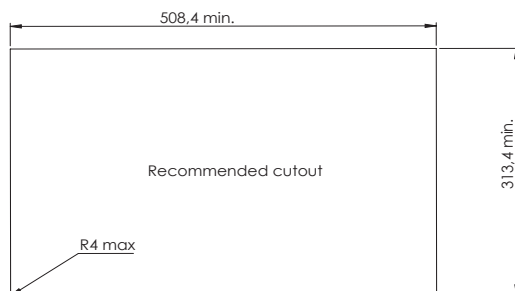
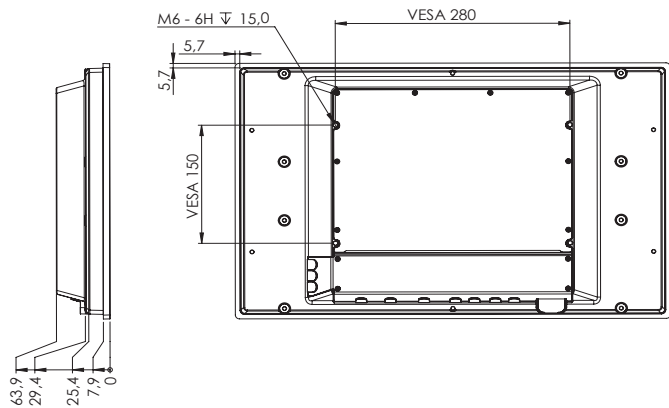
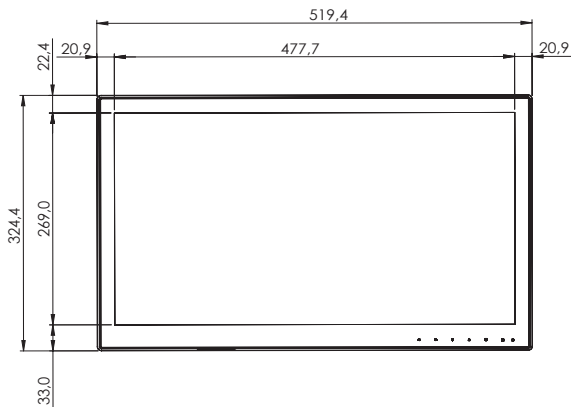
DuraMON 22" S-Line モニターはハードウェアに対して信頼性と耐久性が求められる、船舶・海軍等の用途用にデザインされました。

The S-Line プロダクトファミリーは、超スリムなデザイン・ナローベゼル・軽量・低消費電力を特徴とする最新且つコストパフォーマンスの高さが特徴の製品です。

✓ 60945 Type Approval

## Mechanical outline

### DuraMON 22" S-Line



Table/ceiling bracket available - ISIC PN XXXXX-XXX

# Specifications DuraMON 22" S-Line

## Display properties

|                   |                                       |
|-------------------|---------------------------------------|
| Size              | 21.5" wide screen                     |
| Aspect ratio      | 16:9                                  |
| Active area       | 476.1 x 267.7 mm                      |
| Luminance         | 400 Cd/m2 typical                     |
| Contrast          | 1000:1 typical                        |
| Native resolution | 1920 x 1080 (Full HD)                 |
| View angle        | 89° (L/R/T/B) typical                 |
| Glass             | Anti reflective and thermal toughened |
| Touch             | P-Cap multi touch                     |

## Input/output terminals

|                |  |
|----------------|--|
| DP video input | 2 x DP 1.2                                 |
| USB            | 1 x USB type B, Touch & virtual serial COM |
| AUX            | 1 x 2.5 mm Jack, remote control - optional |

## Operator control interface & OSD

|        |  |
|--------|--|
| Power  | Power on/off (press for 10 sec. to turn off) |
| Up     | Navigate menu / adjust backlight up          |
| Down   | Navigate menu / adjust backlight down        |
| Select | Navigate menu / Select                       |
| Back   | Navigate menu / Back                         |

## Power supply / power consumption

|                  |                                  |
|------------------|----------------------------------|
| AC power         | 100 - 240 VAC 50/60Hz            |
| DC power         | 24 VDC - optional                |
| AC/DC dual power | 100- 240 VAC & 24 VDC - optional |
| Typ. Consumption | 10 W                             |
| Max. Consumption | 28 W                             |

## Physical dimensions

|                   |                                |
|-------------------|--------------------------------|
| Dimensions        | 519 (W) x 324 (H) x 64 (D) mm  |
| Dimensions in box | 620 (W) x 450 (H) x 160 (D) mm |
| Weight            | 7.0 kg                         |
| Weight in box     | 9.0 kg                         |

## Environmental

|                   |                                  |
|-------------------|----------------------------------|
| Operating temp.   | - 15 to 55° C                    |
| Storage temp.     | - 25 to 70° C                    |
| Humidity          | 8 to 95% relative humidity       |
| Protection        | IP56 from front - IP22 from rear |
| Materials encl.   | Sea water resistant Aluminum     |
| Surface treatment | Black Powder coating RAL 9005    |

## Options & accessories

|                 |                                       |
|-----------------|---------------------------------------|
| Console bracket | Console mount bracket kit (10064-000) |
| Table bracket   | Table/ceiling bracket kit (XXXXX-XXX) |

## Approvals & Certificates

|             |                                    |
|-------------|------------------------------------|
| CE mark     | EN 61000-6-2 & EN 61000-6-4        |
| Marine      | IACS E10 rev. 8 & IEC 60945 ed. 4  |
| Certificate | DNV, LR, ABS,BV, CCS, KR, Class NK |
| Certificate | PRS, RINA                          |
| Compass SD  | XX cm (stand.) XX cm (steer.)      |

Basic Japan Co., Ltd. 2-42-26-S110 Amanuma, Suginami-ku  
Tokyo, Japan, 167-0032  
Phone: (+ 81 ) 3 5335 7651  
mail@basicjp.com | <https://www.basicjp.com/>

ISIC A/S | Edwin Rahrs Vej 54 | 8220 Brabrand | Denmark  
Phone: (+ 45) 70 20 70 77  
isic@isic-systems.com | [www.isic-systems.com](http://www.isic-systems.com)

**ISIC** TRUSTED HARDWARE SYSTEMS